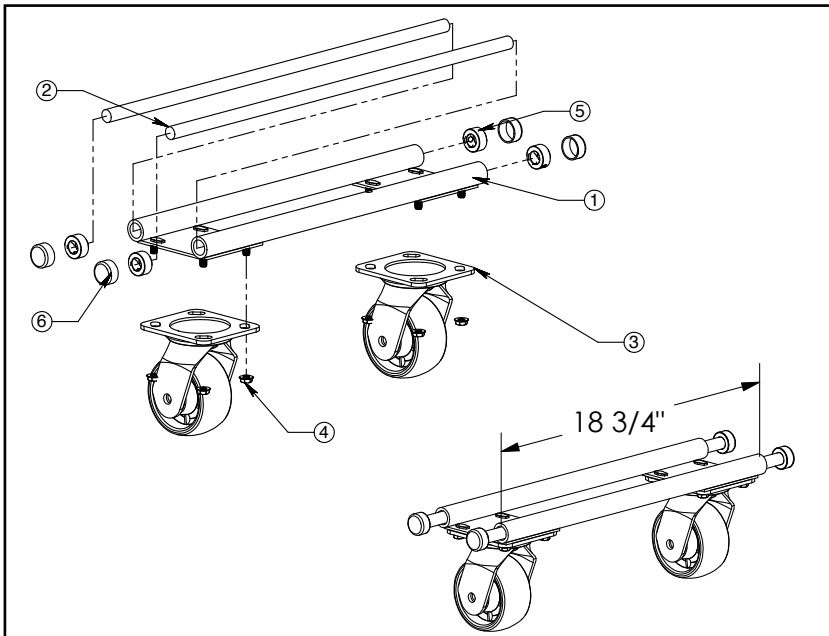




Alkota Wheel Kits

Alkota Cleaning Systems, Inc. 105 Broad Street Alcester, South Dakota, USA 57001
 phone: 1-800-255-6823 fax: 1-800-325-5682 email: info@alkota.com web: www.alkota.com

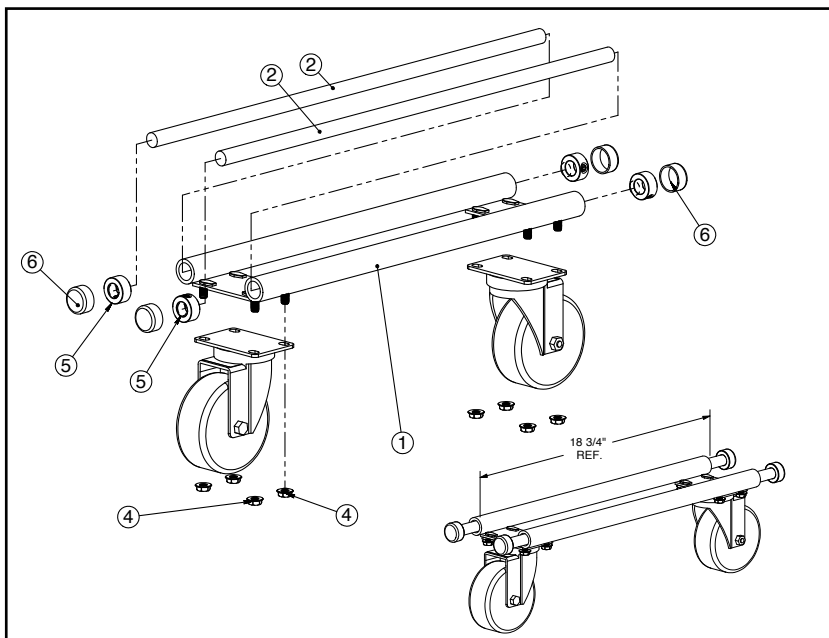


WHEEL KIT - LARGE X4

EXPLODED VIEW - P/N 430X-99008
 Replaces front 10" wheels with swivel casters large X4 frame

PART LISTS

ITEM	PART NUMBER	PART DESCRIPTION	QTY.
1	430X-00104	WELDMENT, WHEEL KIT	1
2	AR58-02202	ROD, CRS - 5/8" X 22 5/5"	2
3	G02-00027	CASTER, SWIVEL	2
4	H06-31300	NUT, LOCK - 5/16"	8
5	H06-62503	COLLAR, SHAFT - 5/8"	4
6	Z01-00029	CAP, VINYL - ROUND	4



WHEEL KIT - MID X4

EXPLODED VIEW - P/N 3255X-99008
 Replaces front 10" wheels with swivel casters medium X4 frame

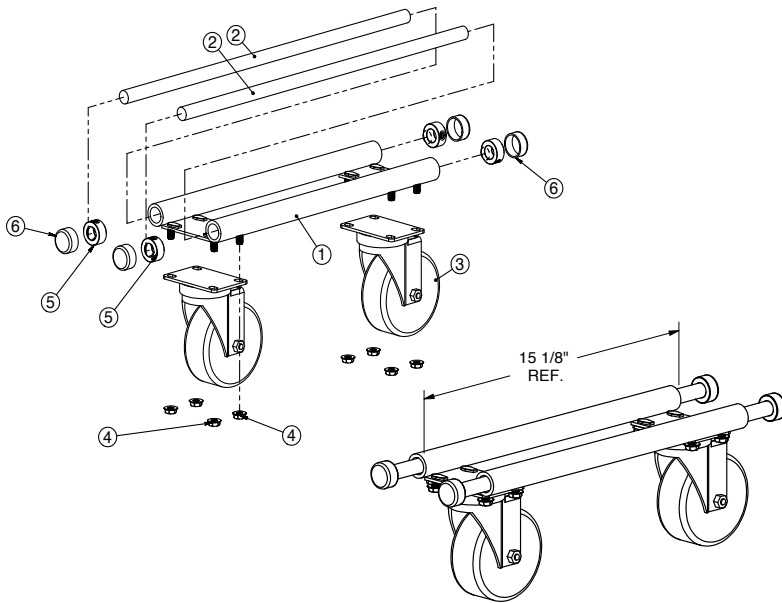
PART LISTS

ITEM	PART NUMBER	PART DESCRIPTION	QTY.
1	3255X-00104	WELDMENT, WHEEL KIT	1
2	AR58-02202	ROD, CRS - 5/8" X 22 5/5"	2
3	G02-00010	CASTER, SWIVEL 4" x 1 1/4"	2
4	H06-31300	NUT, LOCK - 5/16"	8
5	H06-62503	COLLAR, SHAFT - 5/8"	4
6	Z01-00029	CAP, VINYL - ROUND	4

WHEEL KIT - MINI AX4

EXPLODED VIEW - P/N 324AX-99008

Replaces front 10" wheels with swivel casters small AX frame



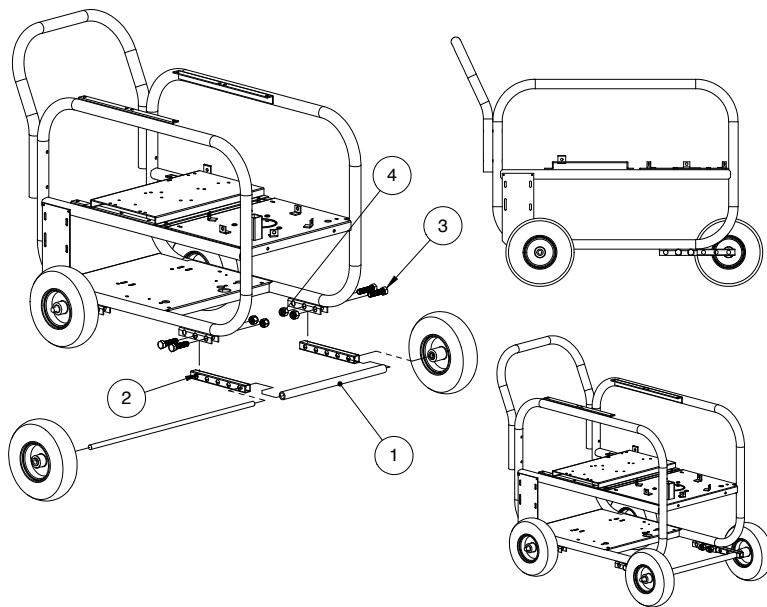
PART LISTS

ITEM	PART NUMBER	PART DESCRIPTION	QTY.
1	324AX-00104	WELDMENT, WHEEL KIT	1
2	AR58-01902	ROD, CRS - 5/8" X 19 1/2"	2
3	G02-00010	CASTER, SWIVEL 4" x 1 1/4"	2
4	H06-31300	NUT, LOCK - 5/16"	8
5	H06-62503	COLLAR, SHAFT - 5/8"	4
6	Z01-00029	CAP, VINYL - ROUND	4

KIT, WHEEL - FRONT EXTENSION

EXPLODED VIEW - P/N 412X-99008

Moves front wheels forward to assist with weight of hose reel



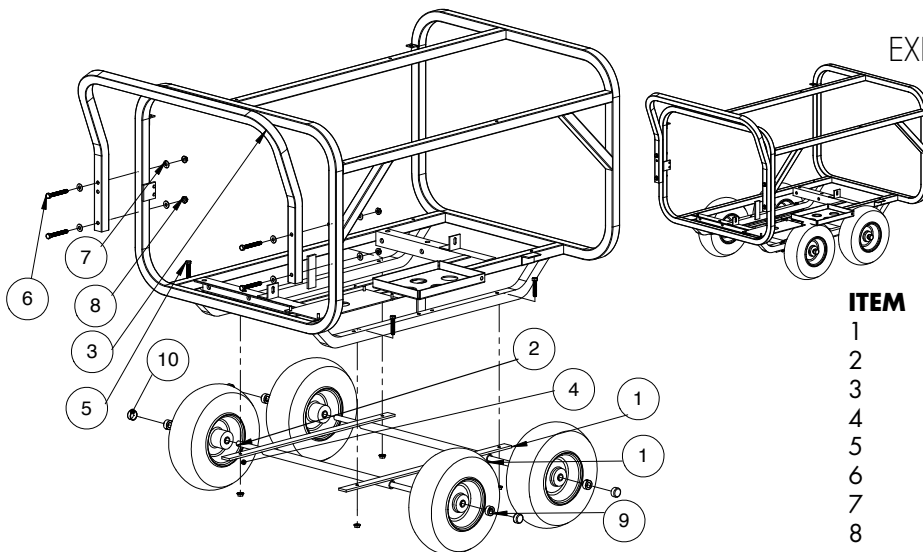
PART LISTS

ITEM	PART NUMBER	PART DESCRIPTION	QTY.
1	AP34-01803	PIPE, 3/4" X 18 3/4"	1
2	AT14-01009-P	BRACKET, AXLE-FRONT 1 x 1 x 10 TUBE HRS SQ 14GA, 1 x 1 x 10	2
3	H04-62503	SCREW, CAP - 5/8 X 2 1/2	4
4	H06-62502	NUT, LOCK, 5/8 - 11UNC	4

KIT, WHEEL - BOLT-ON SKID

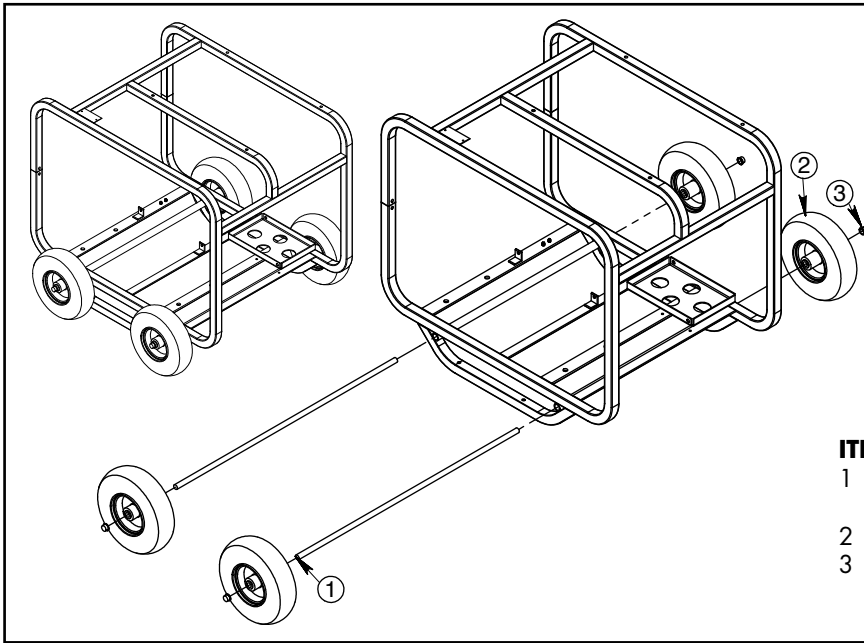
EXPLODED VIEW - P/N 4405G-99008C

For Models 4405G, 5355J, 5355JB,
4405EB, newer large frame
4405E & 5305EA



PART LISTS

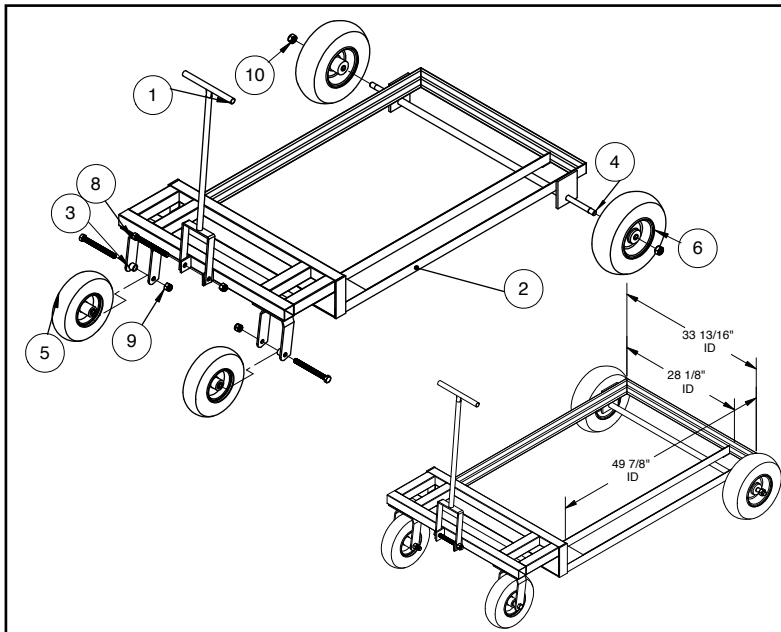
ITEM	PART NUMBER	PART DESCRIPTION	QTY.
1	5305EA-00104	WELDMENT, KIT - WHEEL	1
2	AR58-03000	ROD, CRS - 5/8" X 30 1/2"	2
3	AT14-07300PB	TUBING, HANDLE	1
4	G02-10016B	ASS'Y, TIRE & RIM - 13"	4
5	H04-37501	SCREW, CAP - 3/8-16UNC X 2"	4
6	H04-37501	SCREW, CAP - 3/8-16UNC X 3"	4
7	H05-37500	WASHER, FLAT - 3/8	8
8	H06-37500	NUT, LOCK-3/8-16UNC HEX	8
9	H06-62503	COLLAR, SHAFT - 5/8"	4
10	Z01-00029	CAP, VINYL - ROUND	4



KIT, WHEEL - W/OUT HANDLE
 EXPLODED VIEW - P/N 4405F-99008A
 For Models 3255, 4355H, 4405F

PART LISTS

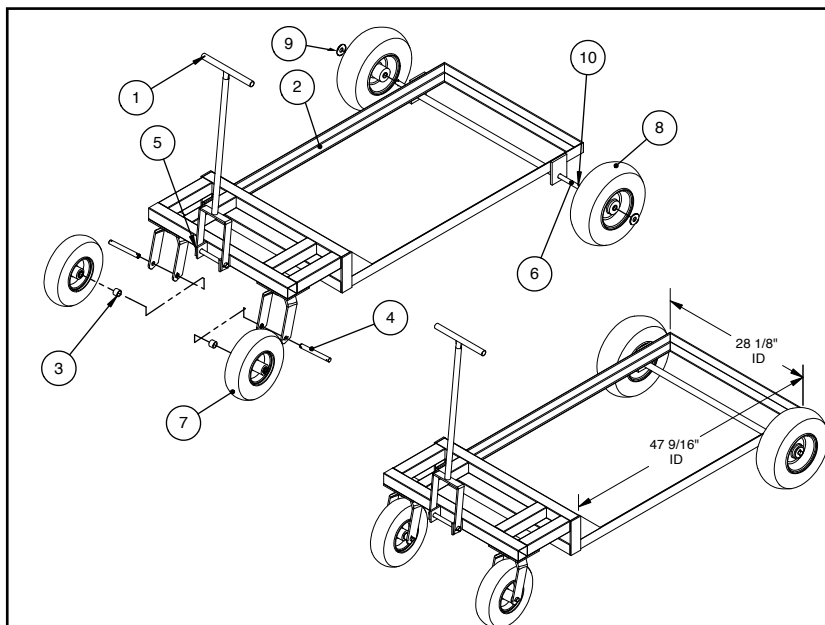
ITEM	PART NUMBER	PART DESCRIPTION	QTY.
1	AR58-03601	ROD, AXLE-5/8 X 36 1/4 CRS W/HOLES	2
2	G02-00018A	ASS'Y, TIRE & RIM - 10"	4
3	H06-62500	NUT, PAL	4



KIT, WHEEL - HD
 EXPLODED VIEW - P/N 5357-99012
 For Models 5357, 5407, 8305,
 8307, 5505

PART LISTS

ITEM	PART NUMBER	PART DESCRIPTION	QTY.
1	3155-00180	HANDLE, TOW	1
2	5357-00104	WELDMENT, WHEEL KIT - HD1	1
3	AP34-00075	SPACER	2
4	AR34-04600-T	AXLE, 3/4" X 46 5/16 THREADED ON BOTH ENDS	1
5	G02-00018A	ASS'Y, TIRE & RIM - 10"	2
6	G02-10016B	ASS'Y, TIRE & RIM - 13"	2
7	G02-10016-01	BEARING - 3/4"	4
8	H03-62500	BOLT, HEX - 5/8-11UNC X 6 1/2	3
9	H06-62502	NUT, LOCK, 5/8 - 11UNC	3
10	H06-75001	NUT, LOCK - 3/4-10UNC	2



KIT, WHEEL - 4-WHEEL
 EXPLODED VIEW - P/N 5305A-99008C
 For Model 5305A

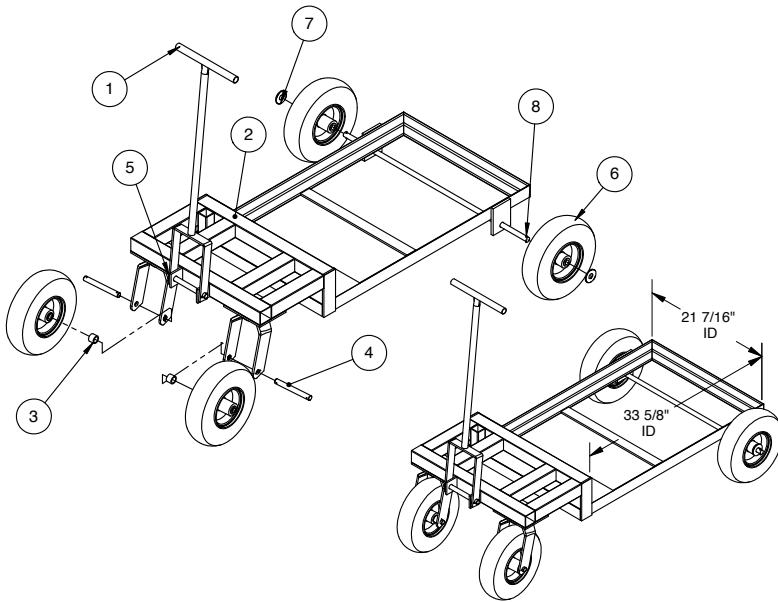
PART LISTS

ITEM	PART NUMBER	PART DESCRIPTION	QTY.
1	3155-00180	HANDLE, TOW	1
2	5305A-00104A	WELDMENT, WHEEL KIT	1
3	AP34-00075	SPACER	2
4	AR58-00501-P	ROD, AXLE	2
5	AR58-00601-P	ROD, AXLE	1
6	AR58-03700-P	AXLE, ROD - 5/8" X 37 1/2" W 5/16 HOLES	1
7	G02-00018A	ASS'Y, TIRE & RIM - 10"	2
8	G02-10016B	ASS'Y, TIRE & RIM - 13"	2
9	H05-62500	WASHER, FLAT	2
10	H12-12500	PIN, COTTER	8

KIT, WHEEL - 4-WHEEL, HOSE REEL

EXPLODED VIEW - P/N 4108-99008C

For All Electric Washers



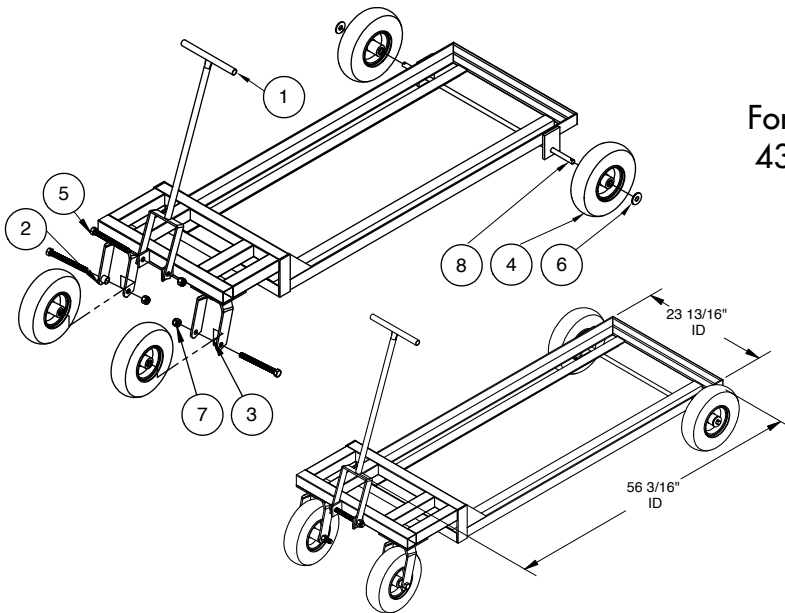
PART LISTS

ITEM	PART NUMBER	PART DESCRIPTION	QTY.
1	3155-00180	HANDLE, TOW	1
2	4108-00104C	WELDMENT, WHEEL KIT	1
3	AP34-00075	SPACER	2
4	AR58-00501-P	ROD, AXLE	2
5	AR58-00601-P	ROD, AXLE	1
6	G02-00018A	ASS'Y, TIRE & RIM - 10"	4
7	H05-62500	WASHER, FLAT	2
8	H12-12500	PIN, COTTER	8

KIT, WHEEL

EXPLODED VIEW - P/N 5501A-99008

For Models 2161, 3111, 3201, 3241, 4181, 4231, 4301, 5181, 5231, 5301, 5401, 5501 - Gas Fired



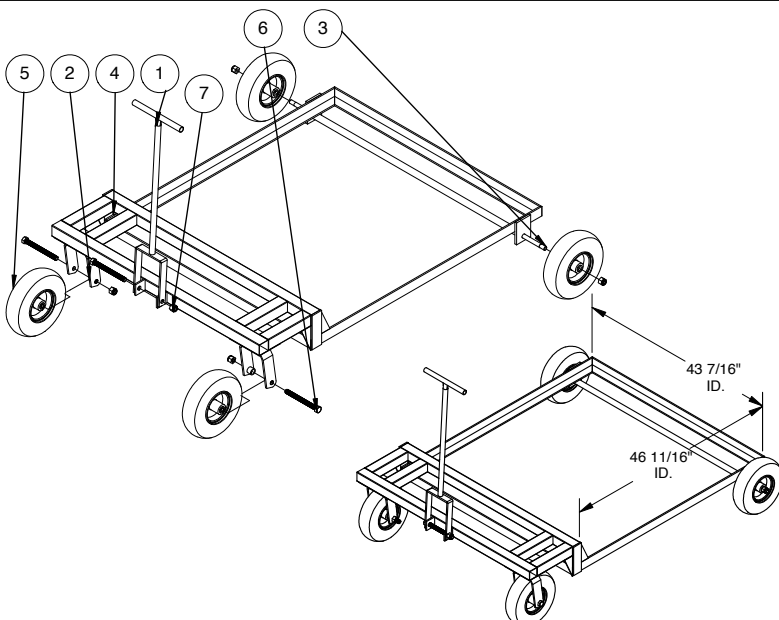
PART LISTS

ITEM	PART NUMBER	PART DESCRIPTION	QTY.
1	3155-00180	HANDLE, TOW	1
2	5501A-00104	WELDMENT, WHEEL KIT	1
3	AP34-00075	SPACER	2
4	G02-00018A	ASS'Y, TIRE & RIM - 10"	4
5	H03-62500	BOLT, HEX - 5/8 - 11UNC X 6 1/2	3
6	H05-62500	WASHER, FLAT	2
7	H06-62502	NUT, LOCK, 5/8 - 11UNC	3
8	H12-12500	PIN, COTTER	2

KIT, WHEEL

EXPLODED VIEW - P/N EM5355-99008

For all ElectroMagic Skid Mounts



PART LISTS

ITEM	PART NUMBER	PART DESCRIPTION	QTY.
1	3155-00180	HANDLE, TOW	1
2	AP34-00075	SPACER	2
3	AR58-05400-T	AXLE, ROD-5/8" x 54" THREADED BOTH ENDS	1
4	EM5355-00104	WELDMENT, WHEEL-KIT	1
5	G02-00018A	ASS'Y, TIRE & RIM - 10"	4
6	H03-62500	BOLT, HEX - 5/8-11UNC X 6 1/2	3
7	H06-62502	NUT, LOCK, 5/8 - 11UNC	5